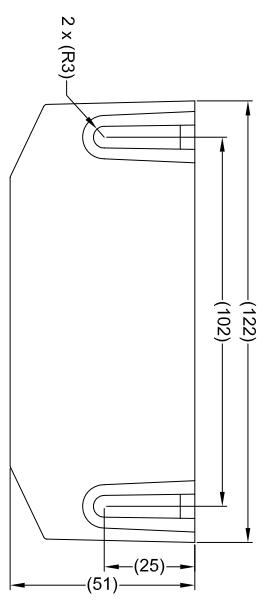
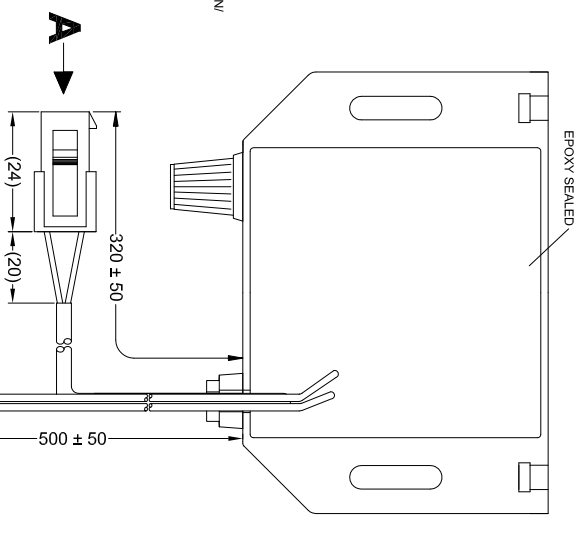
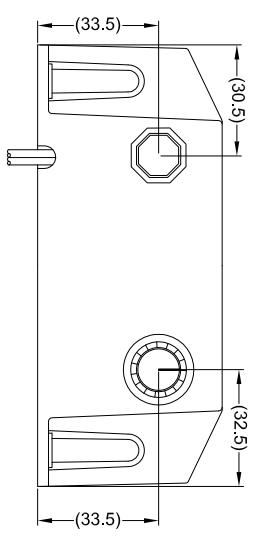
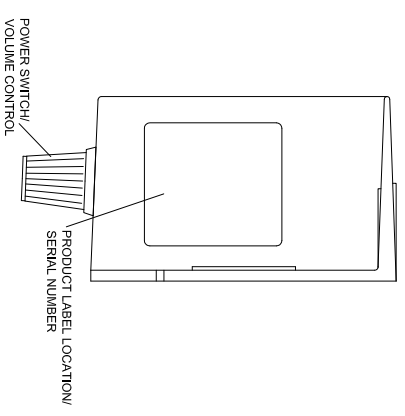
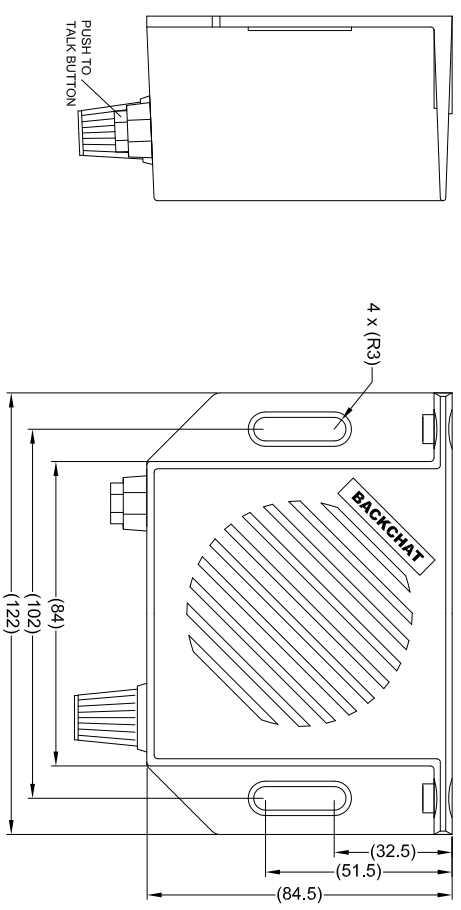
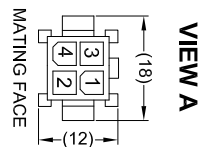


Revision Notes:			
1. FRAME UPDATED, INTERCOM CABLE REVISED.	Checked By: JIN	Approved By: DK	Date Released: 13/10/11
2. INTERCOM CABLE SPECIFICATION REVISED.	Checked By: LB	Approved By: DK	Date Released: 17/01/12



Pin #	Wire Colour	Description
1	GREEN	COMMON GND
2	YELLOW	SPEAKER SIGNAL
3	RED	SWITCH SUPPLY
4	BLUE	SPEAKER SIGNAL



SPECIFICATION
 RATED VOLTAGE: 12 AND 24 VOLTS DIRECT CURRENT (WORKING VOLTAGE RANGE 10 THRU 30 VOLTS)
 RATED CURRENT: 1.0 AMPERES OR LESS
 SOUND PRESSURE: MAX 90.4 DECIBELS AT TEST VOLTAGE OF 14 AND 28 VOLTS
 CABLE THICKNESS: POWER CABLES 2x0.2MM
 INTERCOM CABLE 4 INSULATED CORE 7/0.2MM CABLE IN PVC SHEATHING
 INTERCOM CABLE IS UNSCREENED DEF617-24A TYPE CABLE.
 INTERCOM CABLE INSULATION MUST BE FULLY POTTED AT POINT OF CONNECTION TO PCB.

OPERATION
 UNIT IS SWITCHED ON BY ROTATING THE CONTROL KNOB CLOCKWISE IT CAN THEN BE FURTHER ROTATED TO ADJUST VOLUME. MASTER IS IDLE UNLESS THE MASTER PUSH TO TALK BUTTON IS PRESSED UPON WHICH THE MASTER WILL TRANSMIT TO THE SLAVE. WHILE IDLE THE MASTER CAN RECEIVE FROM THE SLAVE WHEN THE SLAVE PUSH TO TALK BUTTON IS PUSHED. IF THE SLAVE & MASTER TRY TO TRANSMIT SIMULTANEOUSLY NEITHER UNIT WILL BE ABLE TO TRANSMIT OR RECEIVE.

- NOTES:**
1. DIMENSIONS IN MM.
 2. MATERIAL: ABS PLASTIC - ULTRA VIOLET STABILIZED.
 3. FINISH: BLACK
 4. FOR PRODUCT LABEL REFER TO BE-001402-00-11.
 5. 2 X M6 X 25 BOLTS, 2 X M6 FLAT WASHER & 2 X M6 NUTS ARE SUPPLIED IN A PRESS SEAL BAG IN THE BOX.
 6. POWER & INTERCOM CABLE LENGTH ARE MEASURED FROM CABLE ENTRY POINT ON HOUSING.

PROPRIETARY NOTICE
 THIS DESIGN AND TECHNICAL INFORMATION APPEARING ON THIS DRAWING IS THE PROPERTY OF BRIGADE ELECTRONICS, AND IS DISCLOSED IN CONFIDENCE. IT IS NOT TO BE COPIED, REPRODUCED, REVEALED TO OR EXPLOITED BY OTHERS, EITHER IN WHOLE OR IN PART WITHOUT THE EXPRESS WRITTEN CONSENT OF BRIGADE ELECTRONICS.

BRIGADE
 www.brigade-electronics.com

Assembly Pl Approval Angle of Projection 	Approved by DKERAI	Checked by JINEMAN	Drawn by MBUTLER
	Units mm	Scale N/A	Released 13/10/11
Status RELEASED	BC-VI-2 MASTER		
Stock Code #0990	BE-001482-02-11		